

MFP A3 couleur

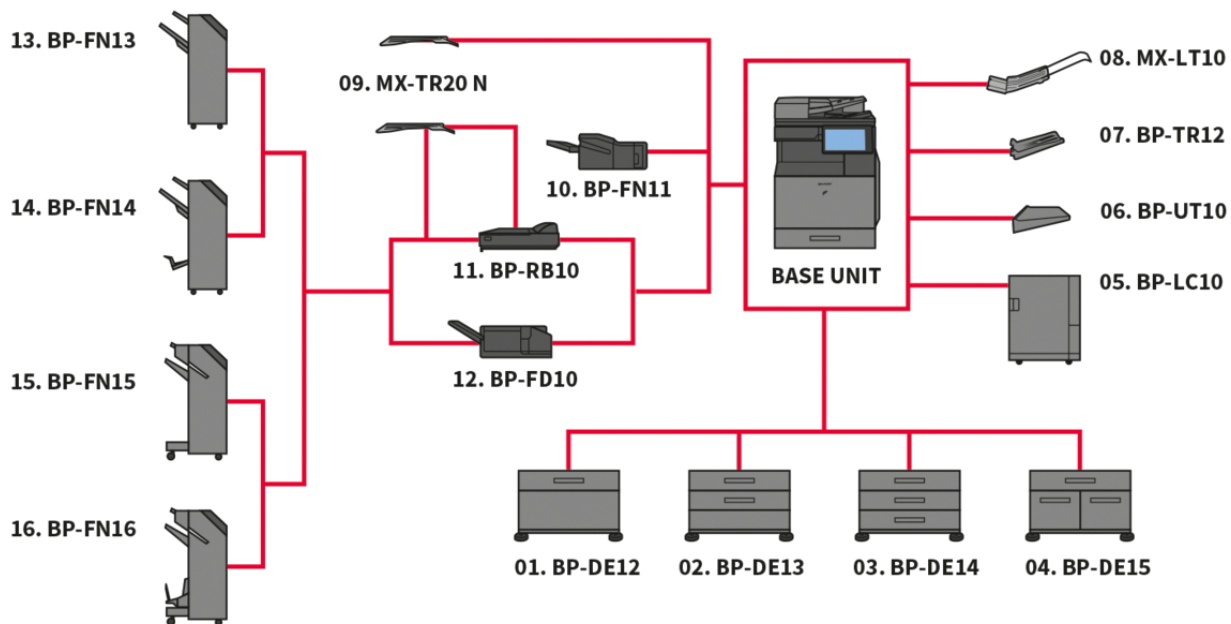
BP-50C26

Un MFP fiable et adapté aux espaces de travail de demain



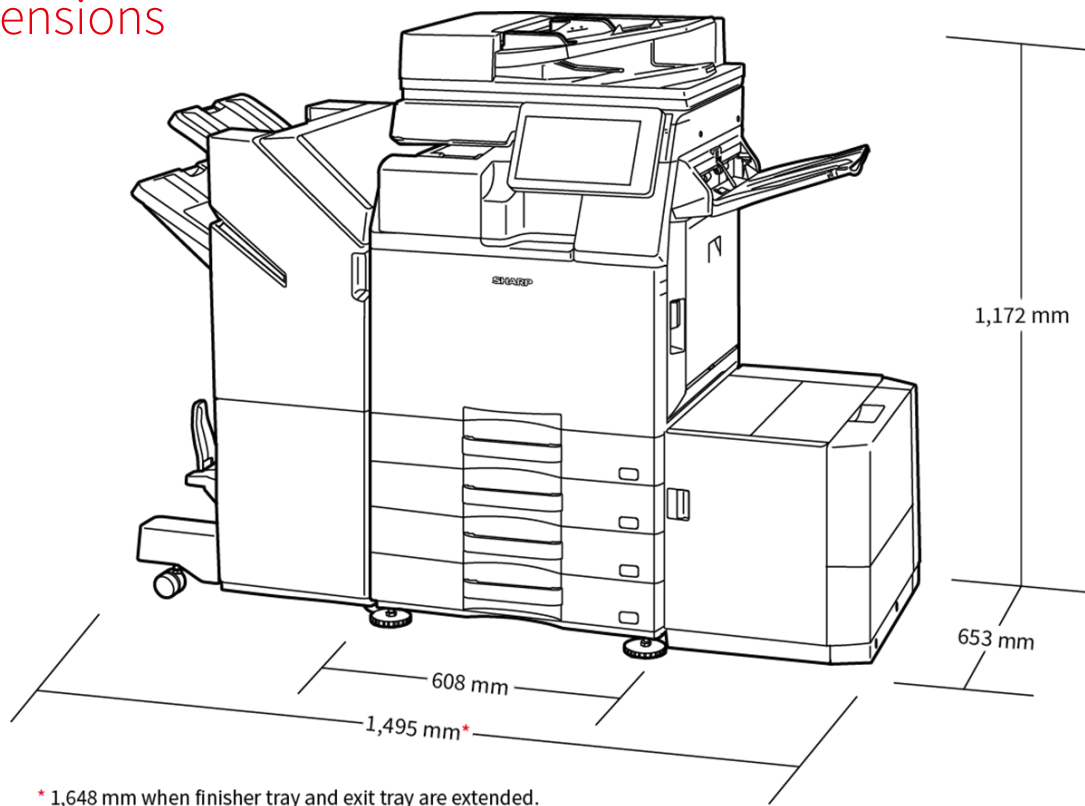
- 26ppm colour MFP with seamless integration and connection to cloud based business process applications
- Built-in Microsoft® Teams connector strengthens collaboration by enabling direct and secure access for printing to or scanning from your Microsoft® Teams channels
- Keep your data, device and network secure with optional Bitdefender anti-malware protection software
- Securely print from or scan to public cloud storage services quickly and easily with single sign-on
- Extensive finishing options including a folding unit bring even more flexibility to your print output
- Keep up-to-date and compliant with remote firmware and application updates via the Sharp Application Portal
- Feature rich hardware and solutions platform that supports the hybrid working environment
- Industry leading system and data protection features including BIOS based security and standard Trusted Platform Module ensure that confidential data is kept secure
- Interact with the MFP directly from your mobile device via WiFi, AirPrint, Bluetooth, NFC and QR Code
- 10.1-inch colour LCD operation panel offers a smartphone style user interface making everything easy to access and use
- Superior environmental performance delivers lower standby power consumption and low TEC value
- 100-sheet Reversing Single Pass Feeder scans one or two-sided originals at speeds of up to 80ipm for completing large jobs with ease and efficiency

Configurations



Les configurations peuvent varier d'un pays à l'autre. N'hésitez pas à contacter votre ingénieur commercial Sharp pour plus d'informations.

Dimensions



Les dimensions sont communiquées avec les options. Les options proposées peuvent varier d'un pays à l'autre.

Options

Base Unit

01. BP-DE12 Stand with 550-sheet paper drawer

550 sheets* , SRA3 to A5R (60 - 300 g/m2)

02. BP-DE13 Stand with 2 x 550-sheet paper drawer

550 sheets* each for lower and upper trays, SRA3 to A5R (60 - 300 g/m2)

03. BP-DE14 Stand with 3 x 550-sheet paper drawer

550 sheets* each for lower and upper trays, SRA3 to A5R (60 - 300 g/m2)

04. BP-DE15 Stand with 550 + 2100-sheet paper drawer

Upper tray: SRA3 - A5R, 550 sheets* (60 - 300 g/m2)

Lower tray (Left): A4, 1,200 sheets* (60 - 105 g/m2)

Lower tray (Right): A4 - B5, 900 sheets* (60 - 105 g/m2)

05. BP-LC10 Large Capacity Tray

3,000 sheets* , A4 - B5 (60 - 220 g/m2)

06. BP-UT10 Utility Table

Printing

MX-PK13 PS3 Expansion Kit

Enables PostScript printing

MX-PU10 Direct Print Expansion Kit

MX-PF10 Barcode Font Kit

Enables barcode printing

Scanning

MX-EB19 Enhanced Compression Kit

Enables creation of high compression PDFs

MX-EB20 OCR Expansion Kit

AR-SU1 Stamp Unit

Marks already scanned documents for checking

Faxing

BP-FX11 Fax Expansion Kit

MX-FWX1 iFax Expansion Kit

Connectivity

BP-EB10 Wireless Connection Adaptor

Enables connection to wireless networks

Storage

BP-SD10 High Capacity SSD

512GB SSD

Sharp OSA®

MX-AMX1 Application Integration Module

BP-AM10 Application Communication Module

BP-AM11 External Account Module

Security

BP-FR12U Data Security Kit

Commercial version

BP-VD10 Virus Detection Kit

Finishing

07. BP-TR12 Exit Tray Unit

08. MX-LT10 Long Paper Feeding Tray

Recommended for banner printing

09. MX-TR20 N Job Separator Tray

Requires BP-TU10 Exit Tray Cabinet

10. BP-FN11 Inner Finisher

A3 - B5 (offset/staple), SRA3 - A5R (non offset)

Offset tray (upper): max. 500-sheet paper capacity*

Stapling capacity: max. 50-sheet multi-position staple*

Manual Stapling: 1-point at rear (Flat), 45 sheets (64 g/m2), 40 sheets (80 g/m2)

Stapleless capacity: max.10-sheet (64 g/m2), 8 sheet (65 - 81.4 g/m2), 6 sheet (81.5 - 105 g/m2)

11. BP-RB10 Paper Pass Unit

Required when using BP-FN13, BP-FN14, BP-FN15 & BP-FN16

12. BP-FD10 Folding Unit

200 sheets* , A3, B4, A4R (Z-fold & half fold), A3, A4R (C-Fold, Accordion fold), 60 - 256 g/m2

13. BP-FN13 1k Finisher

A3W - A5R (offset/staple), SRA3 - A5R (non offset)

Offset tray (upper): max.1,000-sheet paper capacity*

Stapling capacity: max. 50-sheet multi-position staple*

14. BP-FN14 1k Saddle Stitch Finisher

A3W - A5R (offset/staple), SRA3 - A5R (non offset)

Offset tray (upper): max.1,000-sheet paper capacity*

Stapling capacity: max. 50-sheet multi-position staple*

Saddle stitch tray (lower): 7 sets (11-15 sheets), 10 sets (6-10 sheets), 20 sets (1-5 sheets). 15 sheets max per set

15. BP-FN15 3k Finisher

A3 - B5 (offset/staple), SRA3 - A5R (non offset)

Offset tray (upper): max.3,000-sheet paper capacity*

Stapling capacity: max. 65-sheet multi-position staple*

Manual Stapling: 1-point at rear (Flat), 45 sheets (64 g/m2), 40 sheets (80 g/m2)

Stapleless capacity: max.10-sheet (64 g/m2), 8 sheet (65 - 81.4 g/m2), 6 sheet (81.5 - 105 g/m2)

16. BP-FN16 3k Saddle Stitch Finisher

A3 - B5 (offset/staple), SRA3 - A5R (non offset)

Offset tray (upper): max.3,000-sheet paper capacity*

Stapling capacity: max. 65-sheet multi-position staple*

Manual Stapling: 1-point at rear (Flat), 45 sheets (64 g/m2), 40 sheets (80 g/m2)

Stapleless capacity: max.10-sheet (64 g/m2), 8 sheet (65 - 81.4 g/m2), 6 sheet (81.5 - 105 g/m2)

Saddle stitch tray (lower): 10 sets (11-20 sheets), 15 sets (6-10 sheets), 25 sets (1-5 sheets). 20 sheets max per set

MX-PN14B/C/D Punch Modules (3, 2/4, 4 wide) for BP-FN11

MX-PN15B/C/D Punch Modules (3, 2/4, 4 wide) for BP-FN13/BP-FN14

MX-PN16B/C/D Punch Modules (3, 2/4, 4 wide) for BP-FN15/BP-FN16

* Number of sheets based on 80 g/m2

Spécifications

GÉNÉRAL

Vitesse de production couleur ppm (A4)	26
Vitesse de production N&B ppm (A4)	26
Vitesse de production couleur ppm (A3)	15
Vitesse de production N&B ppm (A3)	15
Format papier: min.-max.	A6R - SRA3
Grammage papier (g/m2)	55 - 300
Capacité papier: std (feuilles)	650
Capacité papier: max. (feuilles)	6300
Préchauffage (sec.)	18
Mémoire globale min/max (Go)	5
SSD	STD / OPT
Capacité SSD (Go)	128 / 512
Recto verso	STD
Caractéristiques du secteur - courant alternatif local calibré (Hz)	200 - 240V, 50 / 60Hz
Consommation d'énergie (kW)	1.84
Dimensions (mm)	608 x 653 x 829
Poids (kg)	78

CHARGEUR DE DOCUMENTS

Capacité chargeur (feuilles)	100
------------------------------	-----

SERVEUR DE DOCUMENTS

Serveur de documents (standard / option)	STD
Capacité du serveur de documents - dossiers principal et personnalisés	20000
Capacité du serveur de documents - dossier temporaire	10000
Travaux stockés	Copy, print, scan, fax transmission
Dossiers de stockage	Quick file folder, main folder, custom folder (max. 1000)

FAX

Fax (standard / option)	OPT
Méthode de compression	MH / MR / MMR / JBIG
Protocole de communication	Super G3 / G3
Temps de transmission (sec)	2
Vitesse du modem (bps)	33600 - 2400
Résolution de transmission	STD 203.2 x 97.8 dpi / Ultra Fine 406.4 x 391 dpi
Format du document (Min)	A5
Format du document (Max)	A3
Mémoire (Go)	4
Niveaux de gris	256
Enregistrement des numéros (express/abrévés)	2000
Diffusion (max. destinations)	500

RÉSEAU SANS FIL

Réseau sans fil (standard / option)	OPT
Norme	IEEE802.11 a / b / g / n / ac
Modes d'accès	Infrastructure mode, Software AP mode
Sécurité	WEP, WPA / WPA2-mixed PSK, WPA / WPA2-mixed EAP, WPA2-PSK, WPA2-EAP, WPA2 / WPA3-mixed PSK / SAE, WPA3 SAE, WPA2 / WPA3-mixed EAP, WPA3 EAP

COPIEUR

Format originaux (max.)	A3
Sortie première copie couleur (sec.)	7.6
Sortie première copie N&B (sec.)	6.5
Tri électronique standard	•
Copie continue (max. copies)	9,999
Résolution du scan N&B (dpi)	600 x 600, 600 x 400
Résolution du scan couleur (dpi)	600 x 600
Résolution d'impression (dpi)	1200 x 1200, 600 x 600, 9600 x 600
Niveaux de gris (équivalence) - Couleur	256
Plage de zoom (%)	25 - 400
Taux de reproduction prédéfinis	10

SCANNER

Numérisation réseau (standard / option)	STD
Méthodes de scan 'Push' et 'Pull'	•
Résolution du scan push (dpi)	100, 150, 200, 300, 400, 600
Résolution du scan pull (dpi)	75, 100, 150, 200, 300, 400, 600, 50 - 9600
Formats de fichiers	TIFF, PDF, PDF / A-1a, PDF / A-1b, encrypted PDF, compact PDF, JPEG, XPS, searchable PDF, Microsoft Office (pptx, xlsx, docx), TXT (UTF-8), RTF
Destination scan to PC	•
Destination scan to FTP, Email	•
Destination scan to SMB	•
Destination scan to clé USB	•

IMPRIMANTE EN RÉSEAU

Résolution (dpi)	1200 x 1200, 600 x 600, 9600 x 600
Impression réseau (standard / option)	STD Ethernet
Interface (standard / option)	USB 2.0, USB 3.0, 10Base-T / 100Base-TX / 1000Base-T
OS supportés en standard	Windows 8.1, 10, 11. Windows Server 2012, 2012R2, 2016, 2019.
OS supportés en option	Mac OS X 10.10, 10.11, 10.12, 10.13, 10.14, 10.15, 11, 12
Protocoles réseau	TCP / IP (IPv4, IPv6)
Protocoles d'impression	LPR, Raw TCP (port 9100), POP3 (e-mail printing), HTTP, FTP for downloading print files, IPP, SMB, WSD
Langages de description de pages (standard/option)	STD PCL 6. OPT Adobe® PostScript® 3™
Polices disponibles	80 (PCL), 139 (Adobe PostScript 3)

FINITION

Capacité de sortie max.	500 - 3000
Capacité d'agrafage (feuilles). Max.	65
Piqûre à cheval	OPT
Décalage	STD
Perforation	OPT

CAPACITÉ TONER

Noir (pages à 5% de taux d'encre)	40000
Cyan (pages à 5% de taux d'encre)	24000
Magenta (pages à 5% de taux d'encre)	24000
Jaune (pages à 5% de taux d'encre)	24000

Design and specifications are subject to change without prior notice. All information was correct at time of print. Microsoft, Excel, PowerPoint, OneDrive, SharePoint, Active Directory, Windows Server, and Windows are either registered trademarks or trademarks of Microsoft Corporation in the US and/or other countries. Adobe and PostScript 3 are either registered trademarks or trademarks of Adobe Systems Incorporated in the US and/or other countries. Google Drive, Gmail and Android are trademarks of Google LLC. The Google Drive trademark is used with permission from Google LLC. Box is a trademark, service mark, or registered trademark of Box, Inc. QR Code is a registered trademark of DENSO WAVE INCORPORATED in Japan and other countries. AirPrint and Mac are trademarks of Apple Inc., registered in the US and other countries. PCL is a registered trademark of Hewlett-Packard Company. Qualcomm DirectOffice is a product of Qualcomm Technologies, Inc. and/or its subsidiaries. Qualcomm is a trademark of Qualcomm Incorporated, registered in the US and other countries. DirectOffice is a trademark of CSR Imaging US, LP, registered in the US and other countries. All other company names, product names and logotypes are trademarks or registered trademarks of their respective owners. ©Sharp Corporation March 2022. Ref: BP-50C26 Datasheet. All trademarks acknowledged. E&O.