

MFP A3 noir&blanc

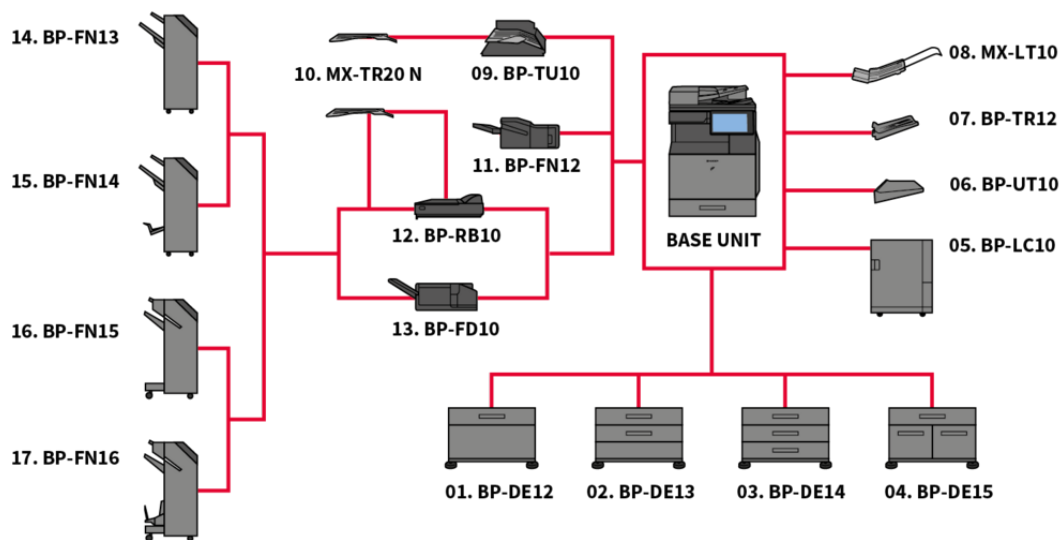
BP-50M65

Un MFP fiable et adapté aux espaces de travail de demain



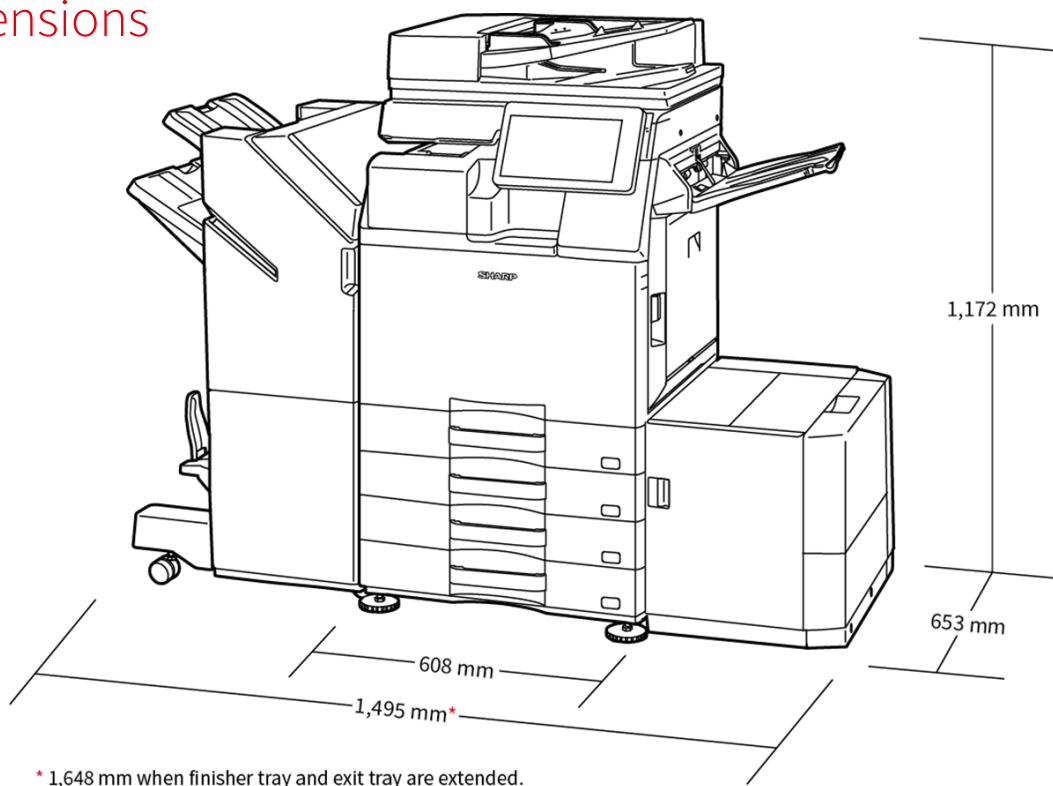
- 65ppm black & white MFP with seamless integration and connection to cloud based business process applications
- Built-in Microsoft® Teams connector strengthens collaboration by enabling direct and secure access for printing to or scanning from your Microsoft® Teams channels
- Keep your data, device and network secure with optional Bitdefender anti-malware protection software
- Securely print from or scan to public cloud storage services quickly and easily with single sign-on
- Extensive finishing options including a folding unit bring even more flexibility to your print output
- Keep up-to-date and compliant with remote firmware and application updates via the Sharp Application Portal
- Feature rich hardware and solutions platform that supports the hybrid working environment
- Industry leading system and data protection features including BIOS based security and standard Trusted Platform Module ensure that confidential data is kept secure
- Interact with the MFP directly from your mobile device via WiFi, AirPrint, Bluetooth, NFC and QR Code
- 10.1-inch colour LCD operation panel offers a smartphone style user interface making everything easy to access and use
- Superior environmental performance delivers lower standby power consumption and low TEC value
- 100-sheet Reversing Single Pass Feeder scans one or two-sided originals at speeds of up to 80ipm for completing large jobs with ease and efficiency

Configurations



Les configurations peuvent varier d'un pays à l'autre. N'hésitez pas à contacter votre ingénieur commercial Sharp pour plus d'informations.

Dimensions



Les dimensions sont communiquées avec les options. Les options proposées peuvent varier d'un pays à l'autre.

Options

Base Unit

01. BP-DE12 Stand with 550-sheet paper drawer

550 sheets* , SRA3 to A5R (60 - 300 g/m2)

02. BP-DE13 Stand with 2 x 550-sheet paper drawer

550 sheets* each for lower and upper trays, SRA3 to A5R (60 - 300 g/m2)

03. BP-DE14 Stand with 3 x 550-sheet paper drawer

550 sheets* each for lower and upper trays, SRA3 to A5R (60 - 300 g/m2)

04. BP-DE15 Stand with 550 + 2100-sheet paper drawer

Upper tray: SRA3 – A5R, 550 sheets* (60 - 300 g/m2)

Lower tray (Left): A4, 1,200 sheets* (60 - 105 g/m2)

Lower tray (Right): A4 - B5, 900 sheets* (60 - 105 g/m2)

05. BP-LC10 Large Capacity Tray

3,000 sheets* , A4 - B5 (60 - 220 g/m2)

06. BP-UT10 Utility Table

Printing

MX-PK13 PS3 Expansion Kit

Enables PostScript printing

MX-PU10 Direct Print Expansion Kit

MX-PF10 Barcode Font Kit

Enables barcode printing

Scanning

MX-EB19 Enhanced Compression Kit

Enables creation of high compression PDFs

MX-EB20 OCR Expansion Kit

AR-SU1 Stamp Unit

Marks already scanned documents for checking

Faxing

BP-FX11 Fax Expansion Kit

MX-FWX1 iFax Expansion Kit

Connectivity

BP-EB10 Wireless Connection Adaptor

Enables connection to wireless networks

Storage

BP-SD10 High Capacity SSD

512GB SSD

Sharp OSA®

MX-AMX1 Application Integration Module

BP-AM10 Application Communication Module

BP-AM11 External Account Module

Security

BP-FR12U Data Security Kit

Commercial version

BP-VD10 Virus Detection Kit

Finishing

07. BP-TR12 Exit Tray Unit

08. MX-LT10 Long Paper Feeding Tray

Recommended for banner printing

09. BP-TU10 Exit Tray Cabinet

10. MX-TR20 N Job Separator Tray

Requires BP-TU10 Exit Tray Cabinet

11. BP-FN12 Inner Finisher

A3 - B5 (offset/staple), SRA3 - A5R (non offset)

Offset tray (upper): max. 500-sheet paper capacity*

Stapling capacity: max. 50-sheet multi-position staple*

Manual Stapling: 1-point at rear (Flat), 45 sheets (64 g/m2), 40 sheets (80 g/m2)

Stapleless capacity: max.10-sheet (64 g/m2), 8 sheet (65 - 81.4 g/m2), 6 sheet (81.5 - 105 g/m2)

12. BP-RB10 Paper Pass Unit

Required when using BP-FN13, BP-FN14, BP-FN15 & BP-FN16

13. BP-FD10 Folding Unit

200 sheets* , A3, B4, A4R (Z-fold & half fold), A3, A4R (C-Fold, Accordion fold), 60 - 256 g/m2

14. BP-FN13 1k Finisher

A3W - A5R (offset/staple), SRA3 - A5R (non offset)

Offset tray (upper): max.1,000-sheet paper capacity*

Stapling capacity: max. 50-sheet multi-position staple*

15. BP-FN14 1k Saddle Stitch Finisher

A3W - A5R (offset/staple), SRA3 - A5R (non offset)

Offset tray (upper): max.1,000-sheet paper capacity*

Stapling capacity: max. 50-sheet multi-position staple*

Saddle stitch tray (lower): 7 sets (11-15 sheets), 10 sets (6-10 sheets), 20 sets (1-5 sheets). 15 sheets max per set

16. BP-FN15 3k Finisher

A3 - B5 (offset/staple), SRA3 - A5R (non offset)

Offset tray (upper): max.3,000-sheet paper capacity*

Stapling capacity: max. 65-sheet multi-position staple*

Manual Stapling: 1-point at rear (Flat), 45 sheets (64 g/m2), 40 sheets (80 g/m2)

Stapleless capacity: max.10-sheet (64 g/m2), 8 sheet (65 - 81.4 g/m2), 6 sheet (81.5 - 105 g/m2)

17. BP-FN16 3k Saddle Stitch Finisher

A3 - B5 (offset/staple), SRA3 - A5R (non offset)

Offset tray (upper): max.3,000-sheet paper capacity*

Stapling capacity: max. 65-sheet multi-position staple*

Manual Stapling: 1-point at rear (Flat), 45 sheets (64 g/m2), 40 sheets (80 g/m2)

Stapleless capacity: max.10-sheet (64 g/m2), 8 sheet (65 - 81.4 g/m2), 6 sheet (81.5 - 105 g/m2)

Saddle stitch tray (lower): 10 sets (11-20 sheets), 15 sets (6-10 sheets), 25 sets (1-5 sheets). 20 sheets max per set

MX-PN14B/C/D Punch Modules (3, 2/4, 4 wide) for BP-FN12

MX-PN15B/C/D Punch Modules (3, 2/4, 4 wide) for BP-FN13/BP-FN14

MX-PN16B/C/D Punch Modules (3, 2/4, 4 wide) for BP-FN15/BP-FN16

* Number of sheets based on 80 g/m2

Spécifications

GÉNÉRAL

Vitesse de production N&B ppm (A4)	65
Vitesse de production N&B ppm (A3)	29
Format papier: min.-max.	A6R - A3W
Grammage papier (g/m ²)	60 - 300
Capacité papier: std (feuilles)	650
Capacité papier: max. (feuilles)	6300
Préchauffage (sec.)	15
Mémoire globale min/max (Go)	5
SSD	STD / OPT
Capacité SSD (Go)	128 / 512
Recto verso	STD
Caractéristiques du secteur - courant alternatif local calibré (Hz)	220 - 240V, 50 / 60Hz
Consommation d'énergie (kW)	1.84
Dimensions (mm)	608 x 653 x 829
Poids (kg)	63

CHARGEUR DE DOCUMENTS

Capacité chargeur (feuilles)	100
------------------------------	-----

SERVEUR DE DOCUMENTS

Serveur de documents (standard / option)	STD
Capacité du serveur de documents principal et personnalisés	20000
Capacité du serveur de documents - dossier temporaire	10000
Travaux stockés	Copy, print, scan, fax transmission
Dossiers de stockage	Quick file folder, main folder, custom folder (max. 1000)

FAX

Fax (standard / option)	OPT
Méthode de compression	MH / MR / MMR / JBIG
Protocole de communication	Super G3 / G3
Temps de transmission (sec)	2
Vitesse du modem (bps)	33600 - 2400
Résolution de transmission	STD 203.2 x 97.8 dpi / Ultra Fine 406.4 x 391 dpi
Format du document (Min)	A5
Format du document (Max)	A3
Mémoire (Go)	4
Niveaux de gris	256
Enregistrement des numéros (express/abrégiés)	2000
Diffusion (max. destinations)	500

RÉSEAU SANS FIL

Réseau sans fil (standard / option)	OPT
Norme	IEEE802.11 a / b / g / n / ac
Modes d'accès	Infrastructure mode, Software AP mode
Sécurité	WEP, WPA / WPA2-mixed PSK, WPA / WPA2-mixed EAP, WPA2-PSK, WPA2-EAP, WPA2 / WPA3-mixed PSK / SAE, WPA3 SAE, WPA2 / WPA3-mixed EAP, WPA3 EAP

COPIEUR

Format originaux (max.)	A3
Sortie première copie N&B (sec.)	3.5
Tri électronique standard	•
Copie continue (max. copies)	9,999
Résolution du scan N&B (dpi)	600 x 600, 600 x 400
Résolution du scan couleur (dpi)	600 x 600
Résolution d'impression (dpi)	600 x 600, 9600 x 600
Niveaux de gris (équivalence) - N&B	2
Niveaux de gris (équivalence) - Couleur	256
Plage de zoom (%)	25 - 400
Taux de reproduction prédéfinis	10

SCANNER

Numérisation réseau (standard / option)	STD
Méthodes de scan 'Push' et 'Pull'	•
Résolution du scan push (dpi)	100, 150, 200, 300, 400, 600
Résolution du scan pull (dpi)	75, 100, 150, 200, 300, 400, 600, 50 - 9600
Formats de fichiers	TIFF, PDF, PDF / A-1a, PDF / A-1b, encrypted PDF, compact PDF, JPEG, XPS, searchable PDF, Microsoft Office (pptx, xlsx, docx), TXT (UTF-8), RTF
Destination scan to PC	•
Destination scan to FTP, Email	•
Destination scan to SMB	•
Destination scan to clé USB	•

IMPRIMANTE EN RÉSEAU

Résolution (dpi)	600 x 600, 9600 x 600
Impression réseau (standard / option)	STD Ethernet
Interface (standard / option)	USB 2.0, USB 3.0, 10Base-T / 100Base-TX / 1000Base-T
OS supportés en standard	Windows 8.1, 10, 11. Windows Server 2012, 2012R2, 2016, 2019
OS supportés en option	Mac OS X 10.10, 10.11, 10.12, 10.13, 10.14, 10.15, 11, 12
Protocoles réseau	TCP / IP (IPv4, IPv6)
Protocoles d'impression	LPR, Raw TCP (port 9100), POP3 (e-mail printing), HTTP, FTP for downloading print files, IPP, SMB, WSD
Langages de description de pages (standard/option)	STD PCL 6. OPT Adobe® PostScript® 3™
Polices disponibles	80 (PCL), 139 (Adobe PostScript 3)

FINITION

Capacité de sortie max.	500 - 3000
Capacité d'agrafage (feuilles). Max.	65
Piqûre à cheval	OPT
Décalage	STD
Perforation	OPT

CAPACITÉ TONER

Noir (pages à 6% de taux d'encre)	40000
-----------------------------------	-------