

A3 sort/hvid MFP

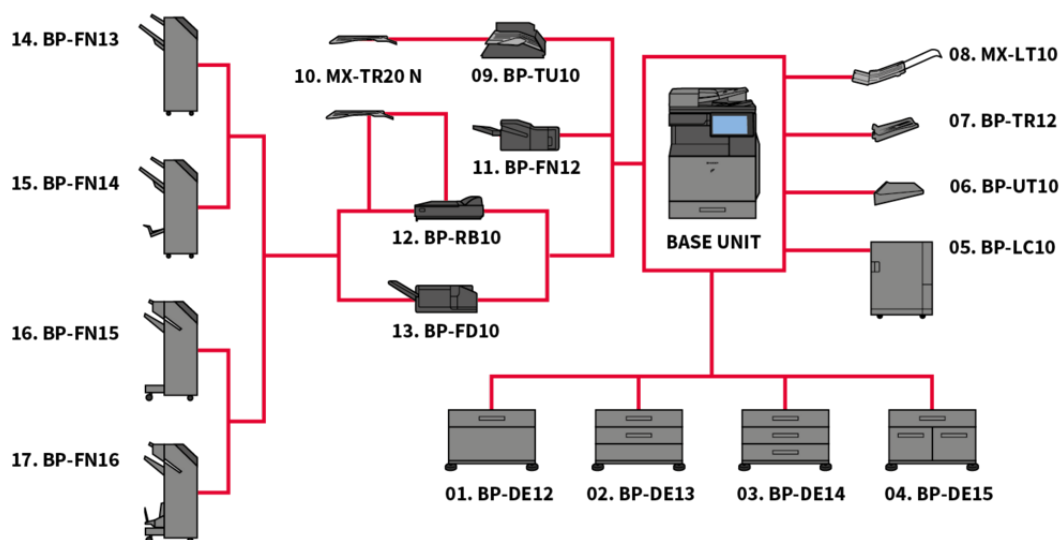
# BP-50M65

MFP er en sikker printløsning til fremtidens arbejdsplads.



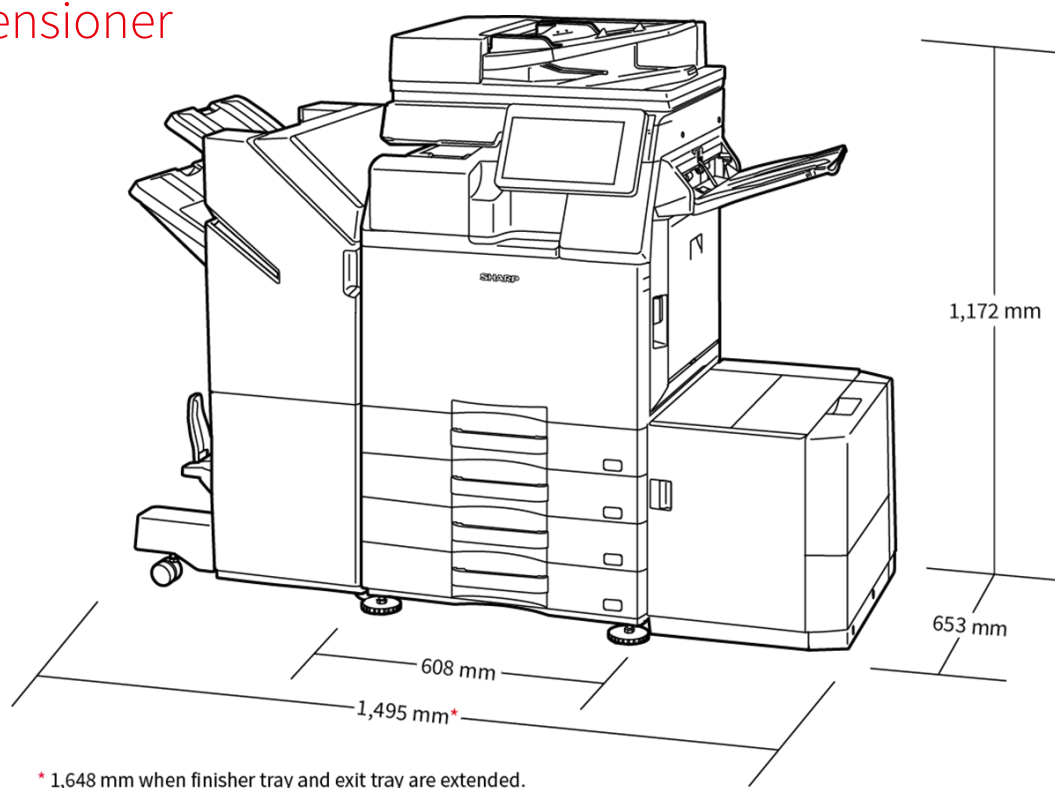
- 65sider pr. min. SH MFP med problemfri integration og forbindelse til skybaserede forretningsprocesapplikationer
- Indbygget Microsoft® Teams-connector styrker samarbejdet ved at muliggøre direkte og sikker adgang til udskrivning til eller scanning fra dine Microsoft® Teams-kanaler
- Hold dine data, din enhed og dit netværk sikkert med Bitdefender antimalwarebeskyttelsessoftware (ekstraudstyr)
- Udskriv sikkert fra eller scan til offentlige cloudlagertjenester hurtigt og nemt med enkeltlogo
- Omfattende efterbehandlingsmuligheder, herunder en foldeenhed, giver endnu mere fleksibilitet til dit udskriftsoutput
- Hold dine data, din enhed og dit netværk sikkert med Bitdefender antimalwarebeskyttelsessoftware (ekstraudstyr)
- Funktionsrig hardware- og løsningsplatform, der understøtter det hybride arbejdsmiljø
- Brancheførende system- og databeskyttelsesfunktioner, herunder BIOS-baseret sikkerhed og standard Trusted Platform Module, sikrer, at fortrolige data holdes sikre
- Interager med MFP'en direkte fra din mobile enhed via WiFi, AirPrint, Bluetooth, NFC og QR-kode
- 10.1-tommer farve LCD-kontrolpanel tilbyder en smartphone-stil brugergrænseflade, der gør alt let at få adgang til og bruge
- Superior environmental performance delivers lower standby power consumption and low TEC value
- 100-arks reverserende single pass feeder scanner en eller tosidede originaler med hastigheder på op til 80ipm for at fuldføre store opgaver med lethed og effektivitet

# Konfiguration



Konfigurationer kan variere pr. Salgsregion. Kontakt din lokale Sharp-repræsentant for yderligere information.

# Dimensioner



Målene vises med ekstraudstyr. Indstillingerne kan variere pr. Region.

# Options

## Base Unit

### 01. BP-DE12 Stand with 550-sheet paper drawer

550 sheets\* , SRA3 to A5R (60 - 300 g/m2)

### 02. BP-DE13 Stand with 2 x 550-sheet paper drawer

550 sheets\* each for lower and upper trays, SRA3 to A5R (60 - 300 g/m2)

### 03. BP-DE14 Stand with 3 x 550-sheet paper drawer

550 sheets\* each for lower and upper trays, SRA3 to A5R (60 - 300 g/m2)

### 04. BP-DE15 Stand with 550 + 2100-sheet paper drawer

Upper tray: SRA3 - A5R, 550 sheets\* (60 - 300 g/m2)

Lower tray (Left): A4, 1,200 sheets\* (60 - 105 g/m2)

Lower tray (Right): A4 - B5, 900 sheets\* (60 - 105 g/m2)

### 05. BP-LC10 Large Capacity Tray

3,000 sheets\* , A4 - B5 (60 - 220 g/m2)

### 06. BP-UT10 Utility Table

## Printing

### MX-PK13 PS3 Expansion Kit

Enables PostScript printing

### MX-PU10 Direct Print Expansion Kit

### MX-PF10 Barcode Font Kit

Enables barcode printing

## Scanning

### MX-EB19 Enhanced Compression Kit

Enables creation of high compression PDFs

### MX-EB20 OCR Expansion Kit

### AR-SU1 Stamp Unit

Marks already scanned documents for checking

## Faxing

### BP-FX11 Fax Expansion Kit

### MX-FWX1 iFax Expansion Kit

## Connectivity

### BP-EB10 Wireless Connection Adaptor

Enables connection to wireless networks

## Storage

### BP-SD10 High Capacity SSD

512GB SSD

## Sharp OSA®

### MX-AMX1 Application Integration Module

### BP-AM10 Application Communication Module

### BP-AM11 External Account Module

## Security

### BP-FR12U Data Security Kit

Commercial version

### BP-VD10 Virus Detection Kit

## Finishing

### 07. BP-TR12 Exit Tray Unit

### 08. MX-LT10 Long Paper Feeding Tray

Recommended for banner printing

### 09. BP-TU10 Exit Tray Cabinet

### 10. MX-TR20 N Job Separator Tray

Requires BP-TU10 Exit Tray Cabinet

### 11. BP-FN12 Inner Finisher

A3 - B5 (offset/staple), SRA3 - A5R (non offset)

Offset tray (upper): max. 500-sheet paper capacity\*

Stapling capacity: max. 50-sheet multi-position staple\*

Manual Stapling: 1-point at rear (Flat), 45 sheets (64 g/m2), 40 sheets (80 g/m2)

Stapleless capacity: max.10-sheet (64 g/m2), 8 sheet (65 - 81.4 g/m2), 6 sheet (81.5 - 105 g/m2)

### 12. BP-RB10 Paper Pass Unit

Required when using BP-FN13, BP-FN14, BP-FN15 & BP-FN16

### 13. BP-FD10 Folding Unit

200 sheets\* , A3, B4, A4R (Z-fold & half fold), A3, A4R (C-Fold, Accordion fold), 60 - 256 g/m2

### 14. BP-FN13 1k Finisher

A3W - A5R (offset/staple), SRA3 - A5R (non offset)

Offset tray (upper): max.1,000-sheet paper capacity\*

Stapling capacity: max. 50-sheet multi-position staple\*

### 15. BP-FN14 1k Saddle Stitch Finisher

A3W - A5R (offset/staple), SRA3 - A5R (non offset)

Offset tray (upper): max.1,000-sheet paper capacity\*

Stapling capacity: max. 50-sheet multi-position staple\*

Saddle stitch tray (lower): 7 sets (11-15 sheets), 10 sets (6-10 sheets), 20 sets (1-5 sheets). 15 sheets max per set

### 16. BP-FN15 3k Finisher

A3 - B5 (offset/staple), SRA3 - A5R (non offset)

Offset tray (upper): max.3,000-sheet paper capacity\*

Stapling capacity: max. 65-sheet multi-position staple\*

Manual Stapling: 1-point at rear (Flat), 45 sheets (64 g/m2), 40 sheets (80 g/m2)

Stapleless capacity: max.10-sheet (64 g/m2), 8 sheet (65 - 81.4 g/m2), 6 sheet (81.5 - 105 g/m2)

### 17. BP-FN16 3k Saddle Stitch Finisher

A3 - B5 (offset/staple), SRA3 - A5R (non offset)

Offset tray (upper): max.3,000-sheet paper capacity\*

Stapling capacity: max. 65-sheet multi-position staple\*

Manual Stapling: 1-point at rear (Flat), 45 sheets (64 g/m2), 40 sheets (80 g/m2)

Stapleless capacity: max.10-sheet (64 g/m2), 8 sheet (65 - 81.4 g/m2), 6 sheet (81.5 - 105 g/m2)

Saddle stitch tray (lower): 10 sets (11-20 sheets), 15 sets (6-10 sheets), 25 sets (1-5 sheets). 20 sheets max per set

### MX-PN14B/C/D Punch Modules (3, 2/4, 4 wide) for BP-FN12

### MX-PN15B/C/D Punch Modules (3, 2/4, 4 wide) for BP-FN13/BP-FN14

### MX-PN16B/C/D Punch Modules (3, 2/4, 4 wide) for BP-FN15/BP-FN16

\* Number of sheets based on 80 g/m2

# Specifikationer

## GENERELT

|                                |                       |
|--------------------------------|-----------------------|
| S/h udskrifter pr. minut (A4)  | 65                    |
| S/h udskrifter pr. minut (A3)  | 29                    |
| Papirstørrelse: min. - max.    | A6R - A3W             |
| Papirvægt (g/m <sup>2</sup> )  | 60 - 300              |
| Papirkapacitet: Standard (ark) | 650                   |
| Papirkapacitet: Max. (ark)     | 6300                  |
| Opvarmningstid (sek.)          | 15                    |
| Hukommelse generelt (Gb)       | 5                     |
| SSD                            | STD / OPT             |
| SSD kapacitet (GB)             | 128 / 512             |
| Duplex                         | STD                   |
| Strømkraft (Hz)                | 220 - 240V, 50 / 60Hz |
| Strømforbrug (kW)              | 1.84                  |
| Mål ( B x D x H ) (mm.)        | 608 x 653 x 829       |
| Vægt (kg)                      | 63                    |

## DOKUMENTFREMFØRER

|                         |     |
|-------------------------|-----|
| Originalkapacitet (ark) | 100 |
|-------------------------|-----|

## DOKUMENTARKIVERING

|  |   |
|--|---|
| Dokumentarkivering (standard / tillbehør)                | STD   |
| Arkiveringskapacitet - hovedmappe / brugermapper (sider) | 20000   |
| Arkiveringskapacitet - hurtigmappe (sider)               | 10000   |
| Lagrede jobs   | Copy, print, scan, fax transmission                       |
| Lagringsmappe  | Quick file folder, main folder, custom folder (max. 1000) |

## FAX

|  |   |
|--|---|
| Fax (standard / tillbehør)                 | OPT   |
| Komprimeringsmetode                        | MH / MR / MMR / JBIG                              |
| Kommunikationsprotokol                     | Super G3 / G3                                     |
| Overførselshastighed (sek.)                | 2   |
| Modemhastighed (bps)                       | 33600 - 2400                                      |
| Overførselsopløsning                       | STD 203.2 x 97.8 dpi / Ultra Fine 406.4 x 391 dpi |
| Dokumentstørrelse (min.)                   | A5  |
| Dokumentstørrelse (max.)                   | A3  |
| Hukommelse (Gb)                            | 4   |
| Gråtone niveauer                           | 256   |
| Registrering af indkommende / udgående fax | 2000  |
| Gruppesending                              | 500   |

## TRÅDLØST NETVÆRK

|   |   |
|---|---|
| Trådløst netværk (standard / tillbehør) | OPT   |
| Gældende regelsæt                       | IEEE802.11 a / b / g / n / ac   |
| Adgangstilstand                         | Infrastructure mode, Software AP mode   |
| Sikkerhed                               | WEP, WPA / WPA2-mixed PSK, WPA / WPA2-mixed EAP, WPA2-PSK, WPA2-EAP, WPA2 / WPA3-mixed PSK / SAE, WPA3 SAE, WPA2 / WPA3-mixed EAP, WPA3 EAP |

## KOPIMASKINE

|                                     |                       |
|-------------------------------------|-----------------------|
| Originalstørrelse (Max.)            | A3                    |
| 1. s/h kopi (sek.)                  | 3.5                   |
| Elektronisk sortering standard      | •                     |
| Kontinuerlig kopiering (max kopier) | 9,999                 |
| Scanneropløsning s/h (dpi)          | 600 x 600, 600 x 400  |
| Scanneropløsning farve (dpi)        | 600 x 600             |
| Printeropløsning                    | 600 x 600, 9600 x 600 |
| Gradueringer - s/h                  | 2                     |
| Gradueringer - farve                | 256                   |
| Zoomområde (%)                      | 25 - 400              |
| Faste zoomsatser                    | 10                    |

## SCANNER

|  |   |
|--|---|
| Netværksscanner (standard / tillbehør)     | STD   |
| Scanningsmetode - "push" eller "pull" scan | •   |
| Scanneropløsning - "push" scan (dpi)       | 100, 150, 200, 300, 400, 600  |
| Scanneropløsning "pull" scan (dpi)         | 75, 100, 150, 200, 300, 400, 600, 50 - 9600   |
| Filformat                                  | TIFF, PDF, PDF / A-1a, PDF / A-1b, encrypted PDF, compact PDF, JPEG, XPS, searchable PDF, Microsoft Office (pptx, xlsx, docx), TXT (UTF-8), RTF |
| Scannerdestinationer desktop               | •   |
| Scannerdestinationer FTP, e-mail           | •   |
| Scannerdestinationer netværksmappe         | •   |
| Scannerdestinationer USB hukommelse        | •   |

## PRINTER

|   |  |
|---|--|
| Opløsning (dpi)                           | 600 x 600, 9600 x 600  |
| Netværksprinter (standard / tillbehør)    | STD Ethernet   |
| Interface Standard / Tilbehør             | USB 2.0, USB 3.0, 10Base-T / 100Base-TX / 1000Base-T   |
| Understøttede operativsystemer standard   | Windows 8.1, 10, 11. Windows Server 2012, 2012R2, 2016, 2019   |
| Understøttede operativsystemer (tilbehør) | Mac OS X 10.10, 10.11, 10.12, 10.13, 10.14, 10.15, 11, 12  |
| Netværksprotokoller                       | TCP / IP (IPv4, IPv6)  |
| Printerprotokoller                        | LPR, Raw TCP (port 9100), POP3 (e-mail printing), HTTP, FTP for downloading print files, IPP, SMB, WSD |
| PDL standard / tillbehør                  | STD PCL 6. OPT Adobe® PostScript® 3™   |
| Tilgængelig fonte                         | 80 (PCL), 139 (Adobe PostScript 3)   |

## EFTERBEHANDLING

|                              |            |
|------------------------------|------------|
| Kapacitet Max.               | 500 - 3000 |
| Hæfte kapacitet (sider) max. | 65         |
| Falsning (folde-funktion)    | OPT        |
| Off-set forskydning          | STD        |
| Hulle funktion               | OPT        |

## TONER INDHOLD

|                              |       |
|------------------------------|-------|
| Sort (sider med 6% dækflade) | 40000 |
|------------------------------|-------|



Design and specifications are subject to change without prior notice. All information was correct at time of print. Microsoft, Excel, PowerPoint, OneDrive, SharePoint, Active Directory, Windows Server, and Windows are either registered trademarks or trademarks of Microsoft Corporation in the US and/or other countries. Adobe and PostScript 3 are either registered trademarks or trademarks of Adobe Systems Incorporated in the US and/or other countries. Google Drive, Gmail, Android, and Google Cloud Print are trademarks of Google LLC. The Google Drive trademark is used with permission from Google LLC. Box is a trademark, service mark, or registered trademark of Box, Inc. QR Code is a registered trademark of DENSO WAVE INCORPORATED in Japan and other countries. AirPrint and Mac are trademarks of Apple Inc., registered in the US and other countries. PCL is a registered trademark of Hewlett-Packard Company. Qualcomm DirectOffice is a product of Qualcomm Technologies, Inc. and/or its subsidiaries. Qualcomm is a trademark of Qualcomm Incorporated, registered in the US and other countries. DirectOffice is a trademark of CSR Imaging US, LP, registered in the US and other countries. All other company names, product names and logos are trademarks or registered trademarks of their respective owners. ©Sharp Corporation July 2022. Ref: BP-50M65 Datasheet. All trademarks acknowledged. E&O.